

# ALERT DISASTER CONTROL

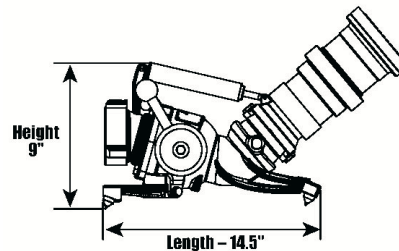
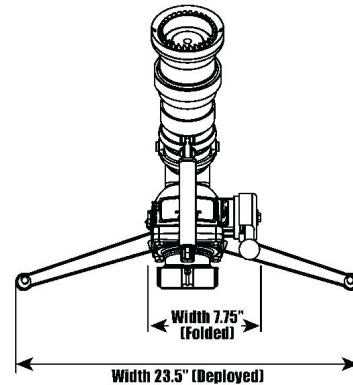
Global Emergency Response and Integrated Risk Management Solutions



## Mercury™ Quick Attack Monitor

The Akron® Mercury Quick Attack Monitor is the newest innovation in firefighting equipment. This monitor is smaller than any other portable ground monitor so it can be quickly set up and left unmanned at the fire scene to free up valuable personnel.

- Compact Size & Weight Light - 14lbs without Nozzle
- Rated Flows Up To 500-gpm (1,900-lt/m)
- Elevation 30° to 60° unmanned, and down to 20° when manned
- Rotation ±20°
- Akron's Ball Shut Off with Tork-Lok™ For Gating & Monitor Repositioning
- Compact Folding Legs For Easy Storage in Crosslays or Mounting Bracket Available
- Ergonomical Handle For Easy Mobility
- Reflective Band For Night Visibility
- Akro-Tec Coating For Added Durability
- Safety Strap & Hook Attached to Monitor to Eliminate Misplacement
- 2-1/2" (F) NST Inlet Thread Options Available with Full Time Swivel (Optional BSP)
- 2-1/2" (M) NST discharge (Optional BSP)



## Quick Deployment • Better Ground Stability • Unmanned Use



Selectable Flow  
Master Stream Nozzle



Stream Straightener  
\*Nozzle to be specific



Straight Tip

[www.alertdisastercontrol.com](http://www.alertdisastercontrol.com)

ALERT (Asia) • ALERT (Canada) • ALERT (Middle East) • ALERT (Oceania) • ALERT (USA)

ALERT maintain an Integrated QHSE Management System to ISO 9001:2000, ISO 14001:2004 and OHSAS 18001 Standards as Certified by Det Norske Veritas

Quick Attack Monitor